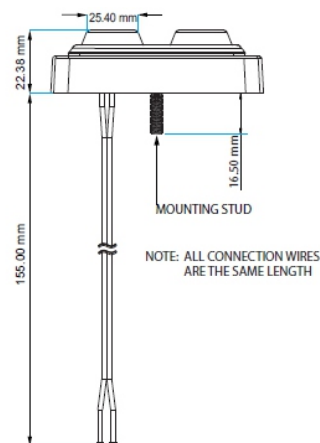
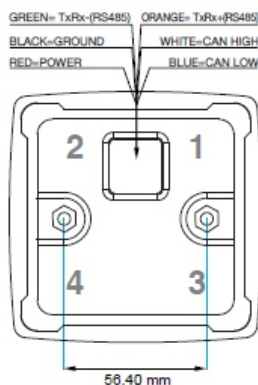
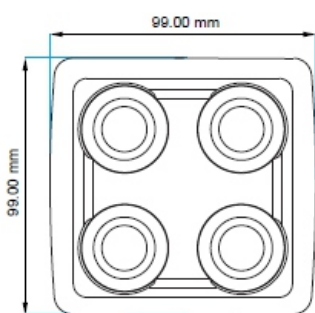


**HMI-304 CAN-BUS KEYBOARD**



HMI-304 is a CANBUS keyboard with four toggle switches, packed in a ruggedized enclosure. It is developed for OUTDOOR environment, with extended water and temperature resistance.

Big keys allow a reliable pressure sensation even with working gloves. Each key can be customised with a plastic insert which allow a perfect match with the machine features driven by Hydronit SMART POWER UNIT. More than 200 symbols are available in order to control the machine. If a symbol is not present in our database, we can produce it on request. The keys are backlit and multiple colours can be driven by the main controller.



**Main features**

Power Supply	9-27 VDC
Operating temperature	-40°C / +85 °C
Ingress Protection	IP67
Connector	DT04-4P
Communication	CAN OPEN RS485

PinOut	Function
1	CAN L
2	CAN H
3	-VB
4	+VB
green cable	TxRx(RS485)
orange cable	TxRx(RS485)