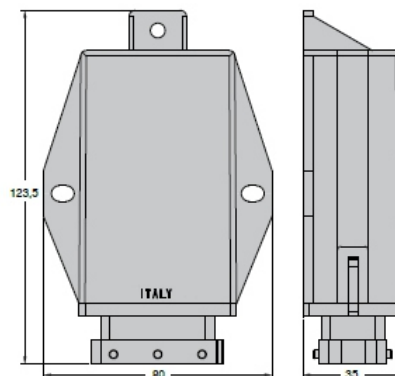


HPC200: I/O CAN-BUS EXTENDER



HPC200 is CANBUS Input Output Extender wich can digitize analog or digital signal such as Pressure transducers, pressure switches, flow sensors, filter clogging sensors and so on and broadcast them to an external CAN-BUS controller such as our HPC or other. HPC moreover has digital Output suitable to direct drive solonoid or starter relays through CAN BUS. on request HPC200 can be equipped with simple software to perform simple tasks such as:

- local driver for remotely controlled hydraulic circuit: it replaces a box with 8 relays and fuses, can be controlled by a CAN BUS keyboard
- hydraulic accumulator charge cycle: it manage charging/discharging cycle of an hydraulic accumulator throug the use of a pressure transducer
- sequence driver: it perform a sequence of operations to manage the complete machine.
- other logics can be programmed as per customer specification



Main features

Power Supply	8 - 32 VDC
Operating temperature	-40°C / +80 °C
Ingress Protection	IP65
Connector	AMP 24 poles
Main CPU	Freescale 40MHz
Internal Memory	32K Flash (program) 1KB EEPROM
RAM	2KB
RTC	on-board
Communcation ports	1 CAN-BUS line
I/O List (optional)	6 Analog / Digital Input 8 output High-Side 2A +5V sensors supply
EMC Standard	EN61000-2, 3, 4
MTTFd	53,42Y

PinOut	Function	PinOut	Function
1A	OUT7	5B	A-IN0
2A	OUT5	6B	CAN R2
3A	OUT4	7B	CAN L
4A	OUT3	8B	WDO-IN
5A	OUT2	1C	+VB
6A	OUT1	2C	+5V (50mA)
7A	OUT0	3C	D-IN1
8A	+VPower	4C	D-IN2
1B	-VB	5C	A-IN1
2B	OUT6	6C	CAN H
3B	D-IN0	7C	CAN R2
4B	D-IN1	8C	WDO-OUT