

HVI204: 4" PROGRAMMABLE COLOUR DISPLAY WITH CAN BUS



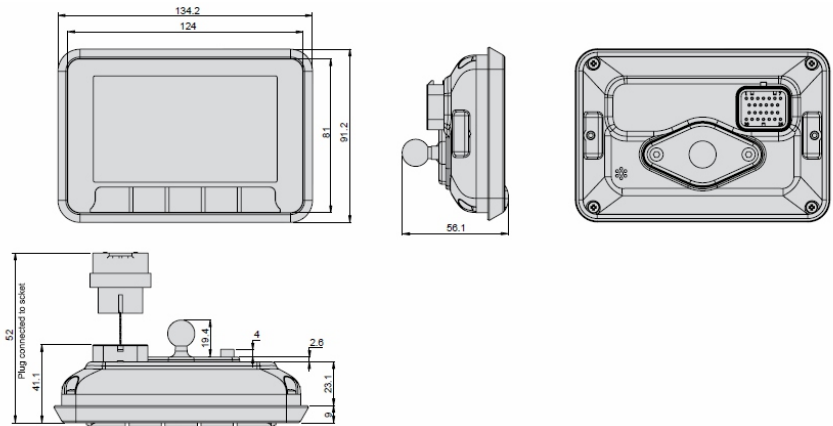
HVI204 is a 4" LCD Colour display with additional programmable keys available in the frame. This display is equipped with an ARM CORTEX processor, which is programmable with a specific IDE environment available on request. HVI204 is including additional I/O ports for local data acquisition of hardware switches and sensors. The display area is QSVGA, with high contrast for good visibility under direct sunlight.

HVI204 is the ideal interface of the Hydronit Smart Power Unit, with possibility to show a big variety of machine information within a customized colorful display.

HVI204 is equipped with two CAN-Bus Lines, for the leanest connection with the Smart Power Unit, using just two wires. Additionally a USB port can be connected to an external USB connector in order to host an external memory as data Logger. a Composite Input for Video is available as option. As option local Output can be used for driving local loads as solenoid valves or light bulbs.

Main features

Power Supply	8 - 32 VDC
Operating temperature	-30°C / +70 °C
Ingress Protection	IP65
Connector	AMP 26 poles
Main CPU	ARM M4 - 180Mhz
Internal Memory	2MB Flash (program) / 64MB SDRAM (data) / 8KB EEPROM
RAM	260KB
Display	4,3"- 480 x 272 px - 800 cdm - 600:1 contr.
RTC	on-board
Buzzer	on-board
Installation	Clips or RAM mount
Communication ports	2 CAN-BUS lines 1 USB port 1 RS232
I/O List (optional)	2 Analog / Digital Input 4 output High-Side 2A
Video In	Optional
IDE	Not Free



PinOut	Function	PinOut	Function
1	+V Battery	14	Composite In (opt)
2	-V Battery	15	GND
3	+ Ignition Key	16	RS232 TX
4	- Ignition Key	17	RS232 RX
5	CAN 1 H	18	GND
6	CAN 1 L	19	DO 1 (opt)
7	GND	20	DO 2 (opt)
8	CAN 2 H	21	DO 3 (opt)
9	CAN 2 L	22	DO 4 (opt)
10	GND	23	USB VBus
11	AI/DI 1	24	USB Host DM
12	AI / DI 2	25	USB Host DP
13	GND	26	GND